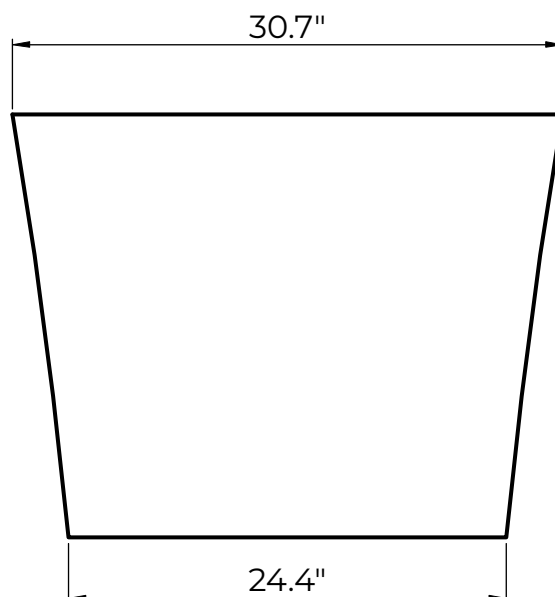
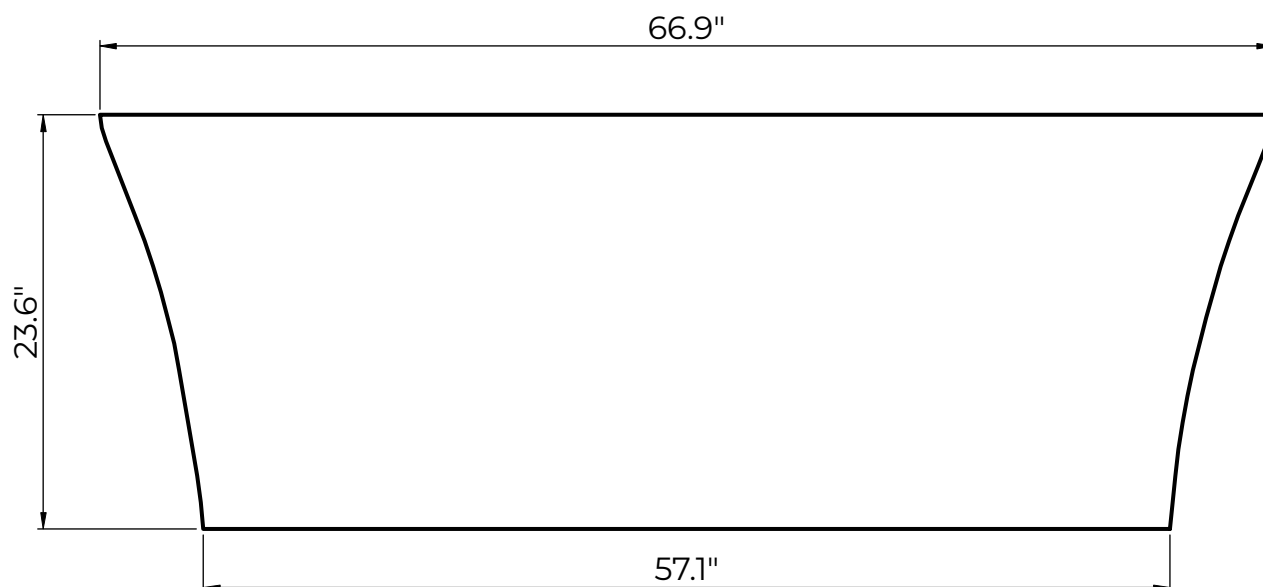
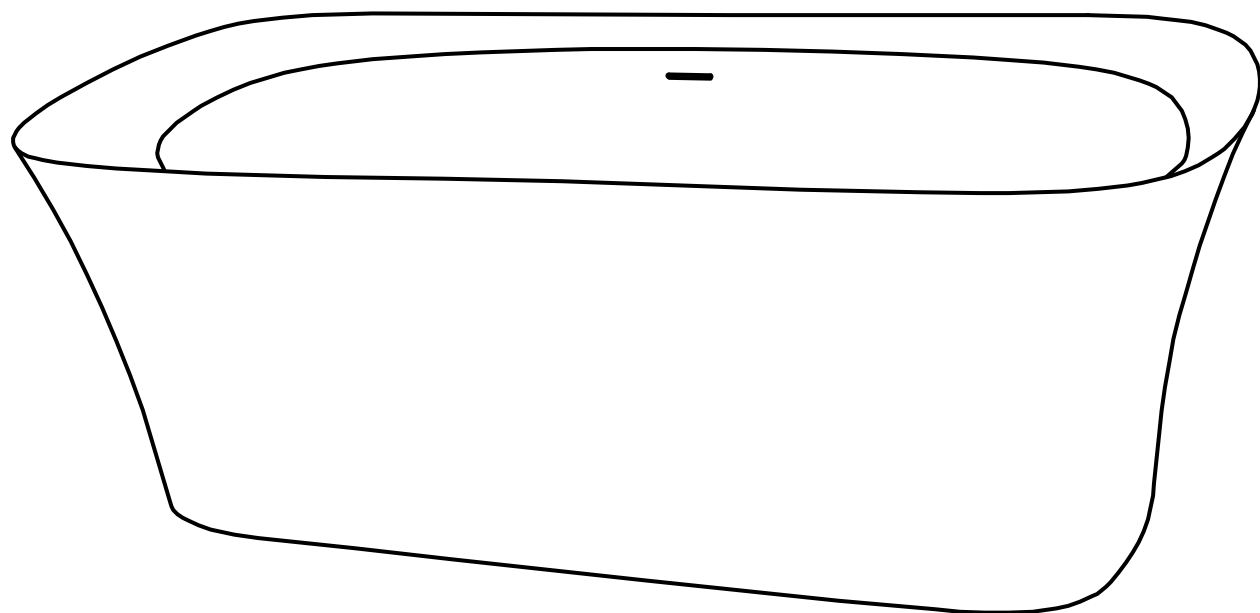


1



**SEE BELOW FOR ADDITIONAL MEASUREMENTS**

2

