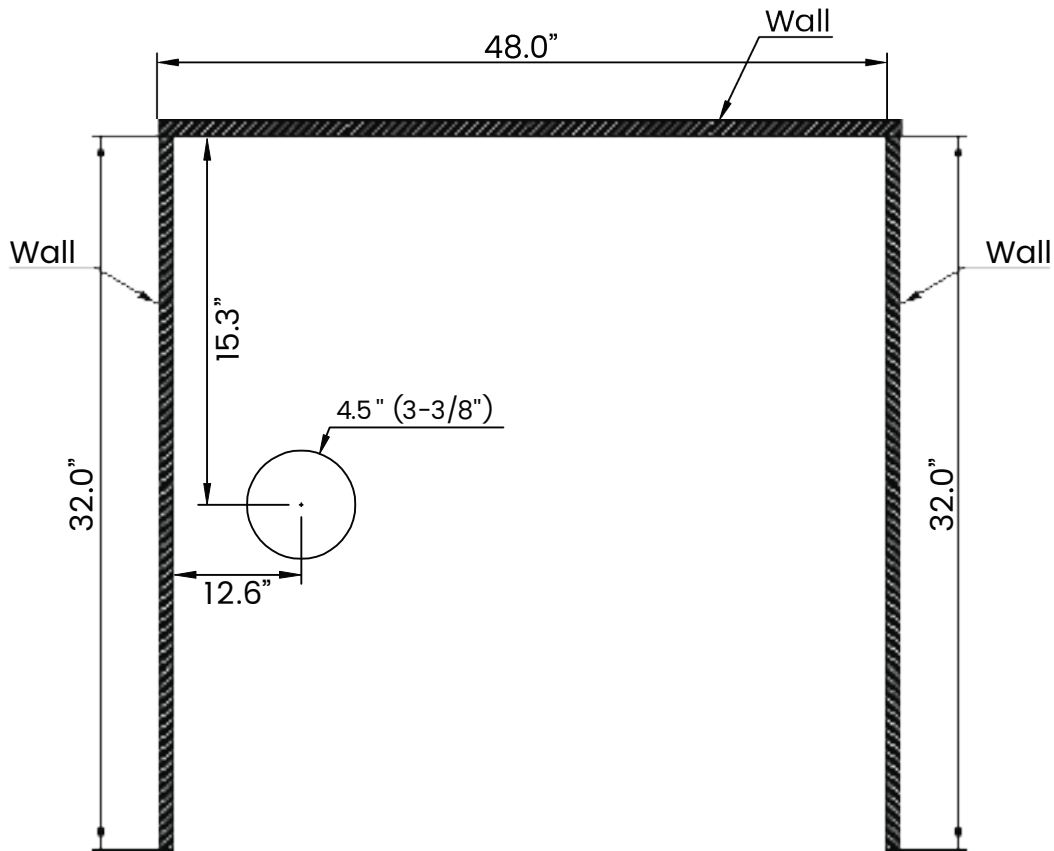


## Rough-In Dimensions



## Product Dimensions

