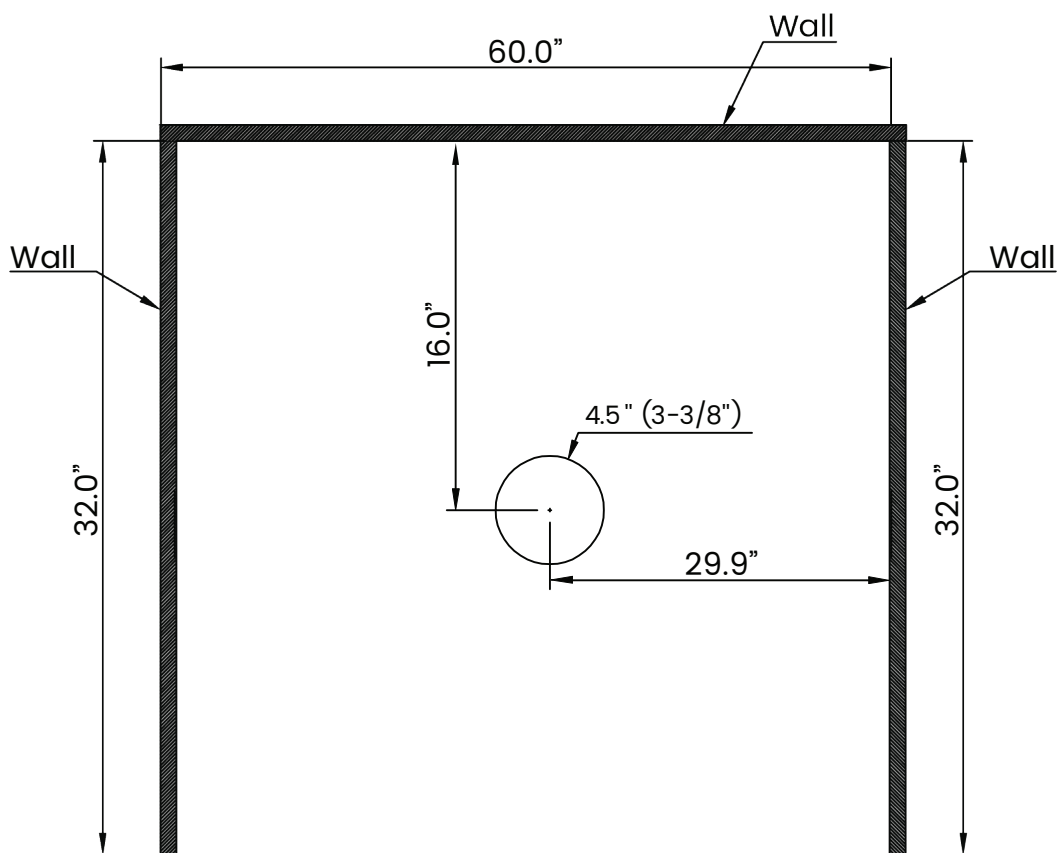


Rough-In Dimensions



Product Dimensions

