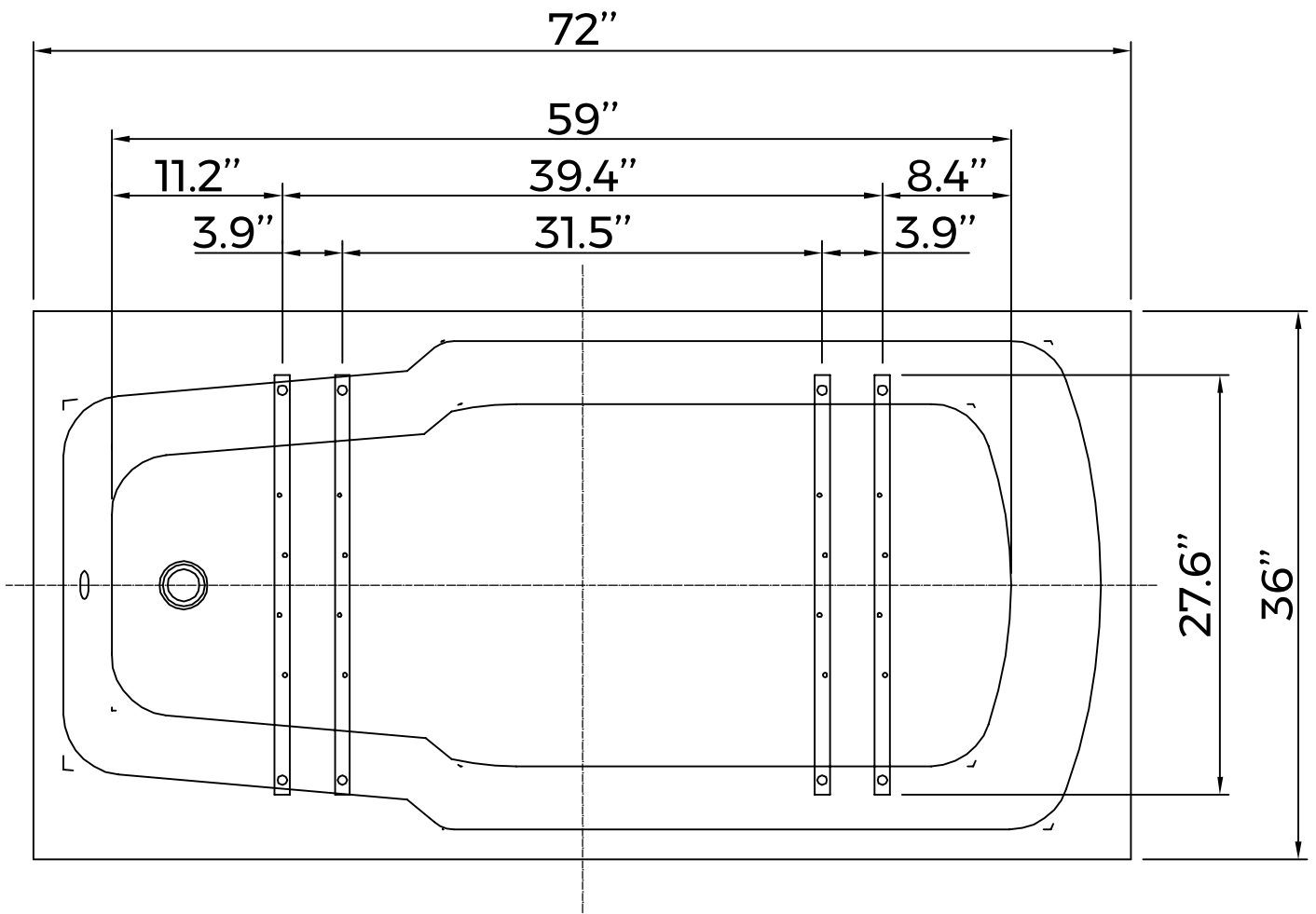


The leveling feet have 2.7\"



Leveling Foot Placement