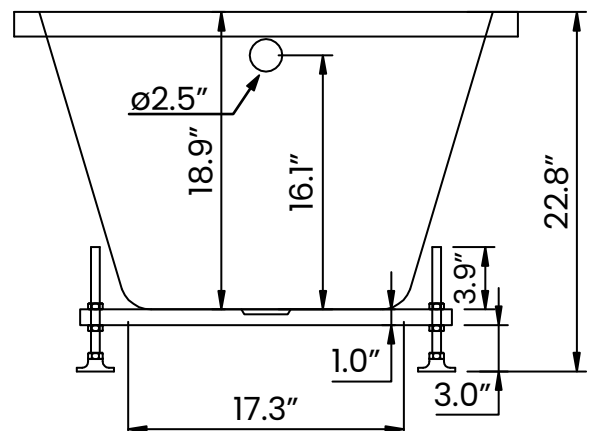
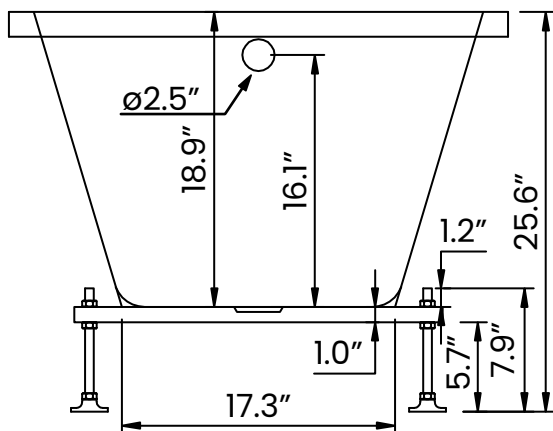
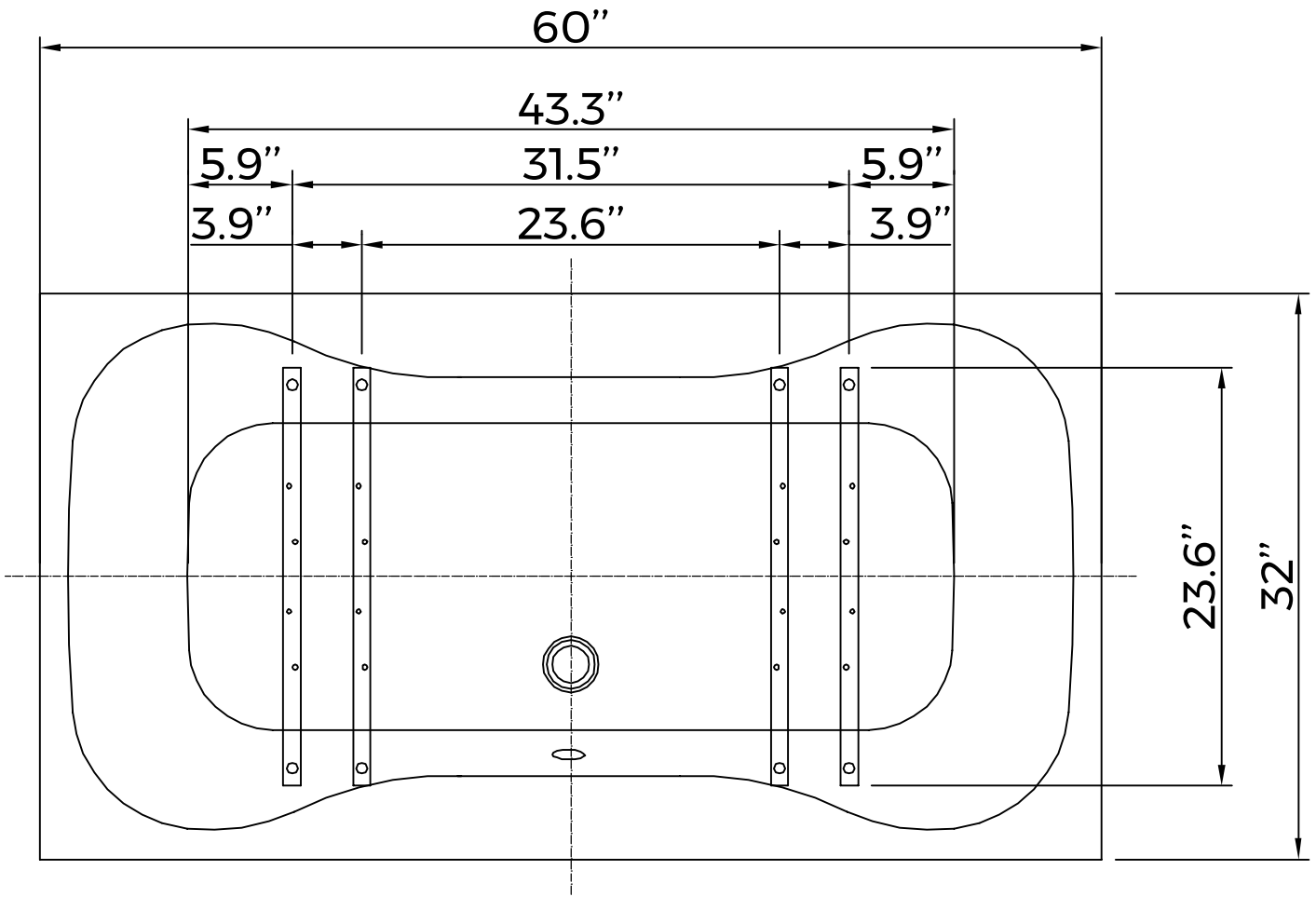


**Maximum Height**

**Minimum Height**



**The leveling feet have 2.7" in height adjustability**



## Leveling Foot Placement