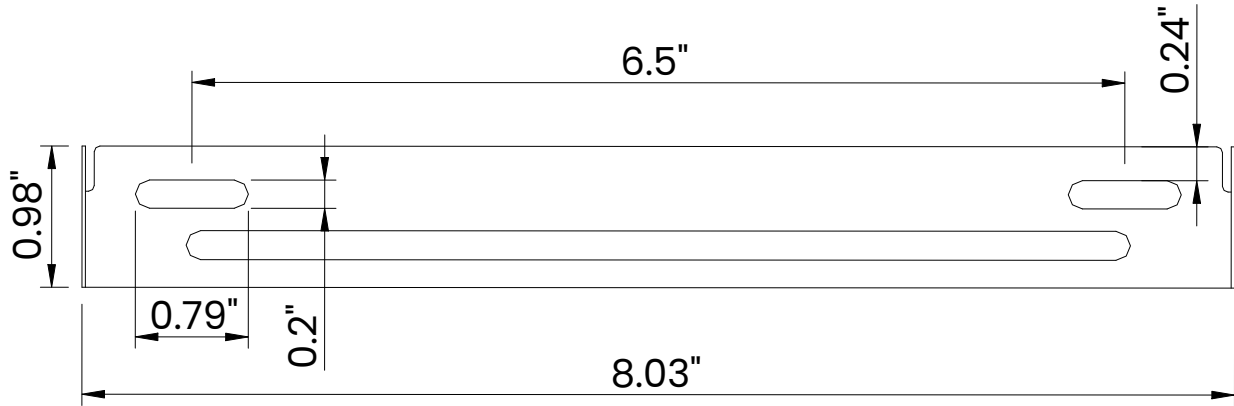
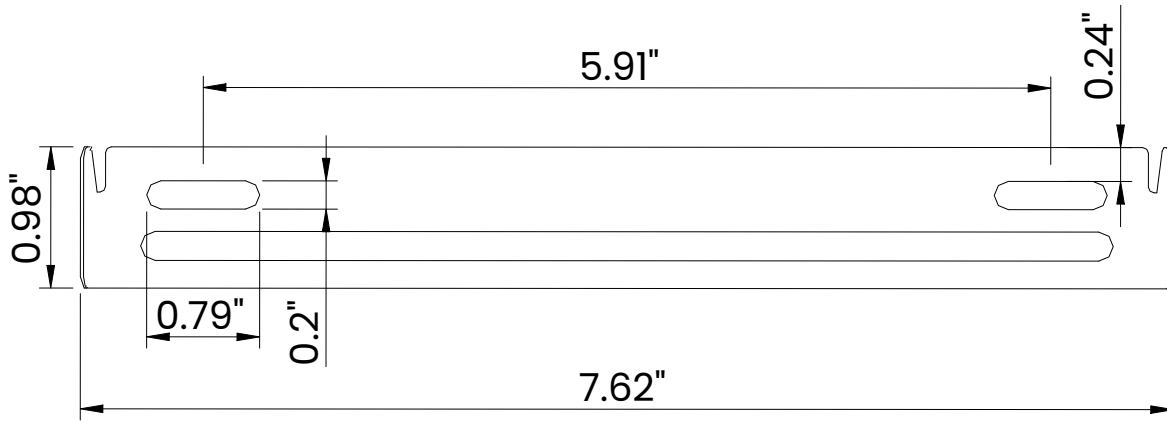


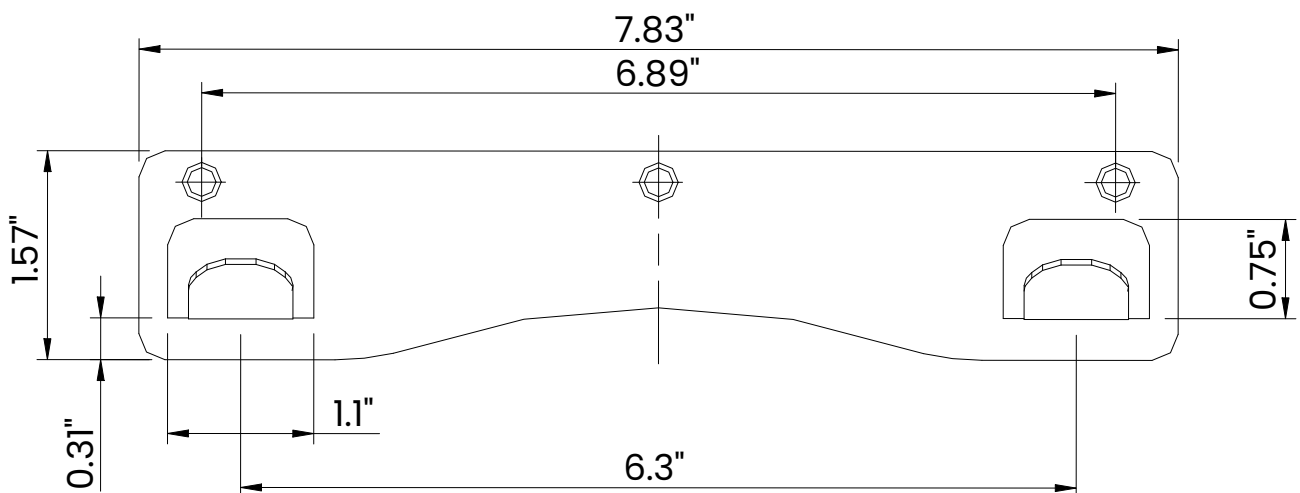
## Upper Chimney Bracket



## Lower Chimney Bracket



## Wall Mount Bracket



## Electrical Wiring Diagram

