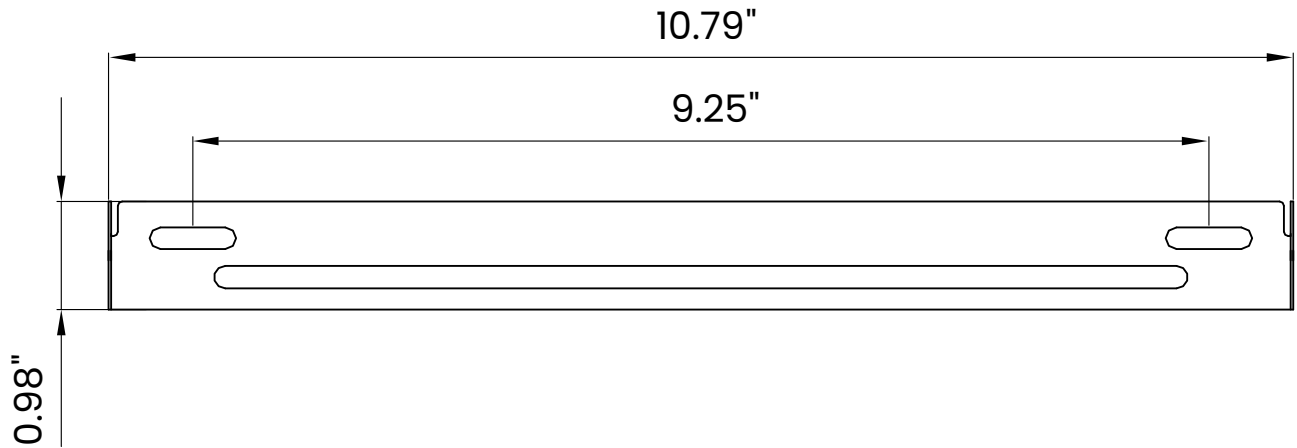
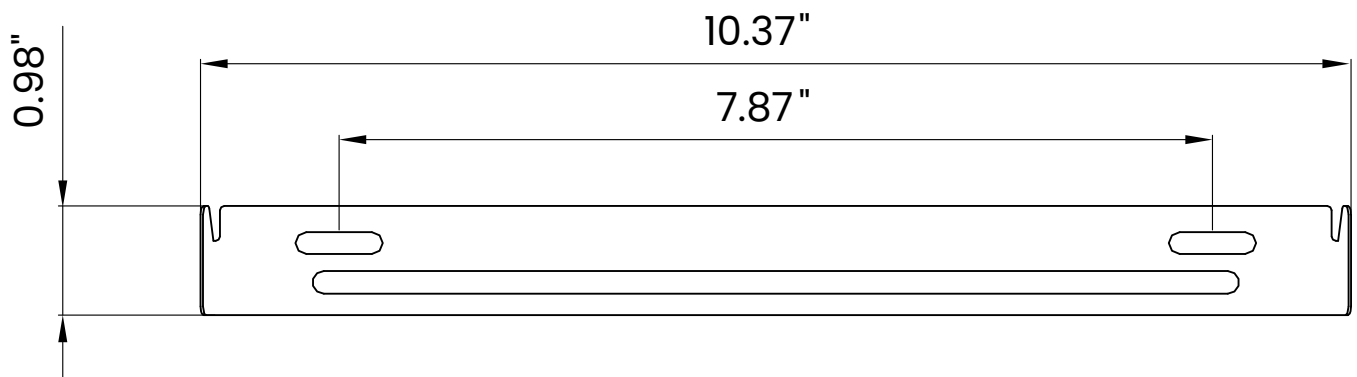


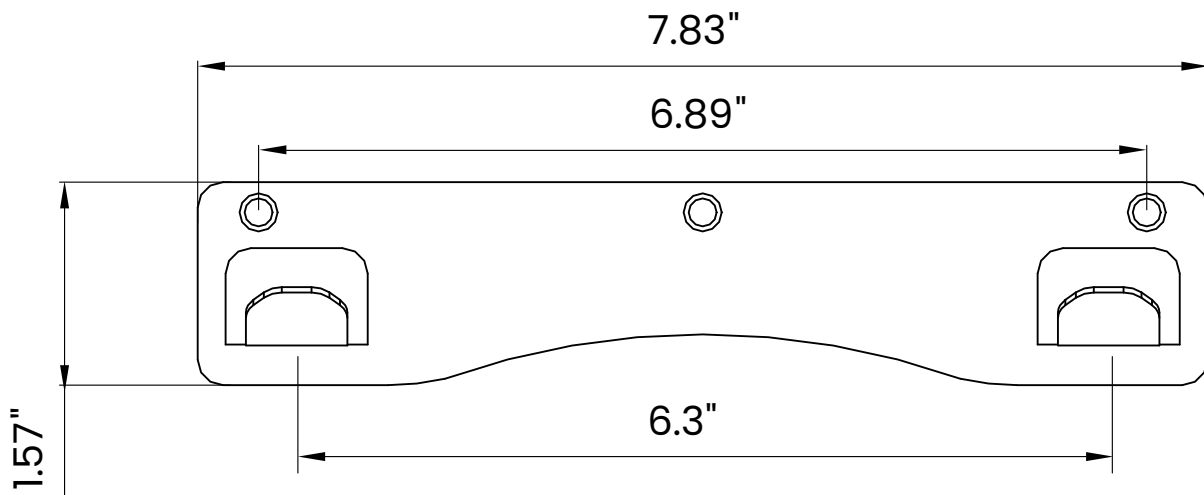
Upper Chimney Bracket



Lower Chimney Bracket



Wall Mount Bracket



Electrical Wiring Diagram

